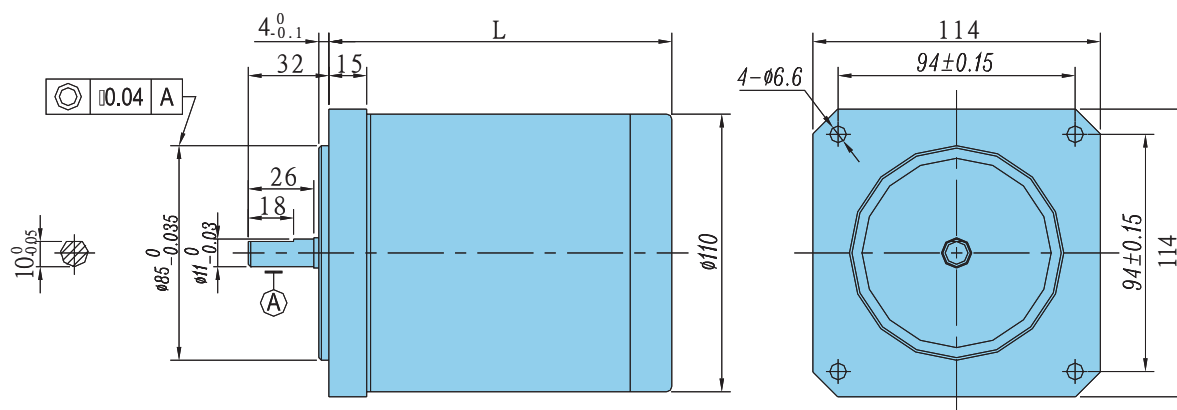


PM Slow Speed Synchronous Motor



110TDY

Model	Voltage V	Phase	Frequency Hz	Speed r/min	Input current A	Input power W	Max. torque mN-m	Rated torque mN-m	Starting torque mN-m	Inertia load g-cm ²	Moment of inertia g-cm ²	Capacitor μF/V	Resistor Ω/W	Weight Kg	Wiring diagram
110TDY060A4-2	220	1	50	60	0.50	90	5500	5000	2000	20000	5100	T9.2/400		6.0	C
110TDY060D4-2	220	1	50	60	0.55	110	6000	5600	2700	20000	5100	4.0/400	450/100	6.0	A
110TDY060S4-2	220	3	50	60	0.65	120	7500	7000	3500	20000	5100			6.0	D
110TDY060S5-2	380	3	50	60	0.38	120	7500	7000	3500	20000	5100			6.0	D
110TDY115A4-2	220	1	50	115.38	0.60	110	3800	3400	1600	20000	5100	T9.8/400		6.0	C
110TDY115D4-2	220	1	50	115.38	0.60	110	4000	3600	1700	20000	5100	4.0/400	450/100	6.0	A
110TDY115S4-2	220	3	50	115.38	0.70	130	6000	5400	2700	20000	5100			6.0	D
110TDY115S5-2	380	3	50	115.38	0.40	130	6000	5400	2700	20000	5100			6.0	D



	110TDY-1	110TDY-2	110TDY-3
L	115	135	160