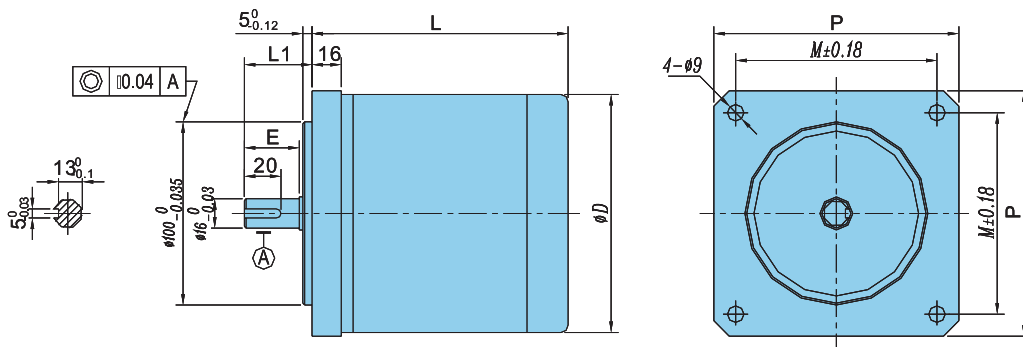


PM Slow Speed Synchronous Motor



130TDY-150TDY

Model	Voltage V	Phase	Frequency Hz	Speed r/min	Input current A	Input power W	Max. torque mN-m	Rated torque mN-m	Starting torque mN-m	Inertia load g-cm ²	Moment of inertia g-cm ²	Capacitor μF/V	Resistor Ω/W	Weight Kg	Wiring diagram
130TDY060D4-2	220	1	50	60	0.80	145	9000	8500	3600	30000	13000	6.0/400	360/100	9.0	A
130TDY060S4-2	220	3	50	60	0.90	150	11000	10000	4500	30000	13000			9.0	D
130TDY060S5-2	380	3	50	60	0.55	150	11000	10000	4500	30000	13000			9.0	D
130TDY115D4-2	220	1	50	115.38	0.90	150	5500	5000	2200	30000	13000	6.0/400	360/100	9.0	A
130TDY115B-2	220/380	3/4	50	115.38	0.90/0.52	150	7500	6700	2600	30000	13000			9.0	E
150TDY060D4-2	220	1	50	60	1.2	200	13000	12000	5500	50000	23000	8.0/400	260/150	12.5	A
150TDY060B-2	220/380	3/4	50	60	1.20/0.7	200	15000	14000	7000	50000	23000			12.5	E



Model	D	L	L1	E	P	M
130TDY	130	140	37	30	134	110
150TDY	150	150	45	38	156	125