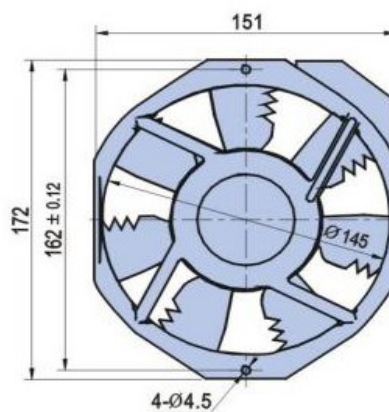
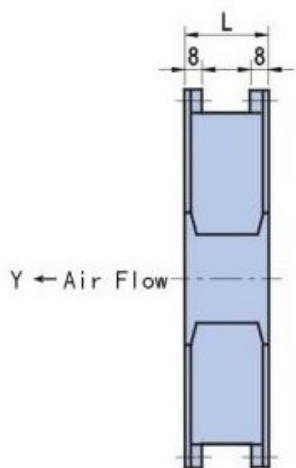




145RFZY

Item No.	Voltage	Phase	Frequency	Input Current	Input Power	Speed	Air Volume	Noise	Weight	Wiring Diagram
	V		Hz	A	W	r/min	m3/min	dB(A)	kg	
145RFZY2NYD3-2	110	1	50	0.36	30	2400	5.5	60	1.0	B
145RFZY2NYD4-2	220	1	50	0.18	30	2400	5.5	60	1.0	B
145RFZY2NYD5-2	380	1	50	0.1	30	2400	5.5	60	1.0	B
145RFZY2NYS5-2	380	3	50	0.08	30	2400	5.5	60	1.0	C
145RFZY2NYD6-2	115	1	60	0.4	40	3000	6.3	62	1.0	A
145RFZY2NYD3-3	110	1	50	0.5	50	2600	7.5	62	1.2	A
145RFZY2NYD4-3	220	1	50	0.25	50	2600	7.5	62	1.2	A
145RFZY2NYD5-3	380	1	50	0.16	50	2600	7.5	62	1.2	A
145RFZY2NYS5-3	380	3	50	0.14	50	2600	7.5	62	1.2	C
145RFZY2NYD6-3	115	1	60	0.65	65	3000	8.5	65	1.2	A



ITEM	145RFZY-2	145RFZY-3
L	39	51

