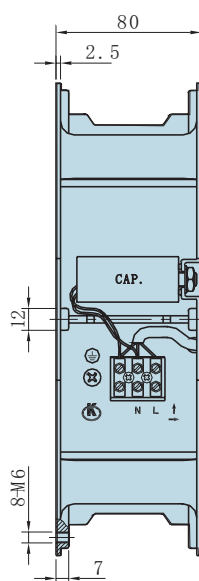
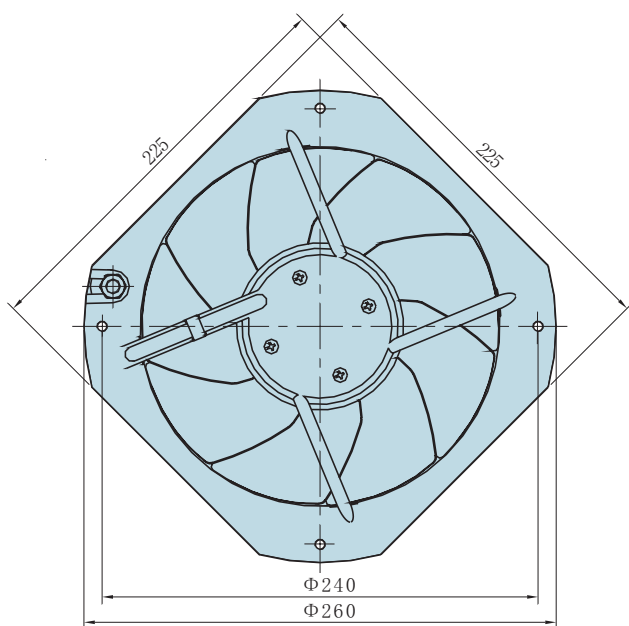


AC AXIAL FAN WITH EXTERNAL ROTOR



200RFZY (W)

Type	Voltage V	Phase	Frequency Hz	Input current A	Input power W	Speed r/min	Air volume m ³ /min	Static pressure Pa	Noise dB (A)	Capacitor μF/V	Weight Kg	Wiring diagram
200RFZY2WZD3-2F	110	1	50	0.70	75	2600	15.3	165	60	8.0/250	2.5	A
200RFZY2WZD4-2F	220	1	50	0.35	75	2600	15.3	165	60	2.0/500	2.5	A
200RFZY2WZD5-2F	380	1	50	0.25	75	2600	15.3	165	60	1.5/500	2.5	B
200RFZY2WZS5-2F	380	3	50	0.20	75	2600	15.3	165	60		2.5	C



- * External rotor, iron blade
- * High air flow, low noise
- * Low power consumption, high reliability
- * Long life time, easy mounting
- * Insulation Clasee: F

