

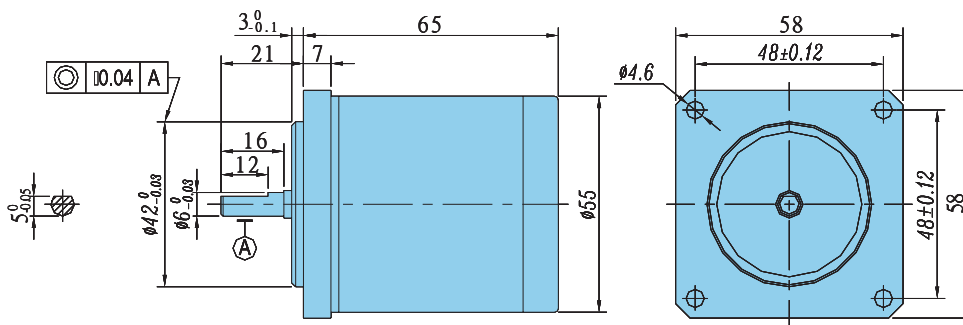
# PM Low Speed Synchronous Motor



## 55TDY

Model	Voltage V	Phase	Frequency Hz	Speed r/min	Input current A	Input power W	Max. torque mN-m	Rated torque mN-m	Starting torque mN-m	Inertia load g-cm <sup>2</sup>	Moment of inertia g-cm <sup>2</sup>	Capacitor μF/V	Resistor Ω/W	Weight Kg	Wiring diagram
55TDY060D2-2	220	1	50	60	0.08	16	400	380	200	600	160	0.47/400	1K/8	0.7	A
55TDY060B-2	220/380	3/4	50	60	0.08/0.05	16	440	410	220	600	160			0.7	E
55TDY115D4-2	220	1	50	115.38	0.14	16	300	270	150	600	160	0.47/400	1K/8	0.7	E
55TDY115B-2	220/380	3/4	50	115.38	0.08/0.05	16	330	300	160	600	160			0.7	E
55TDY115S2-2	36	3	50	115.38	0.35	16	500	450	300	600	160			0.7	D
55TDY115S4-2	220	3	50	115.38	0.075	16	500	450	300	600	160			0.7	D
55TDY115S5-2	380	3	50	115.38	0.045	16	500	450	300	600	160			0.7	D
55TDY500A4-2	220	1	50	500	0.08	16	80	65	35	600	200	0.8/400		0.7	B
55TDY500B-2	220/380	3/4	50	500	0.08/0.05	16	100	80	40	600	200			0.7	E

## 55TDY



## 55TDY500

