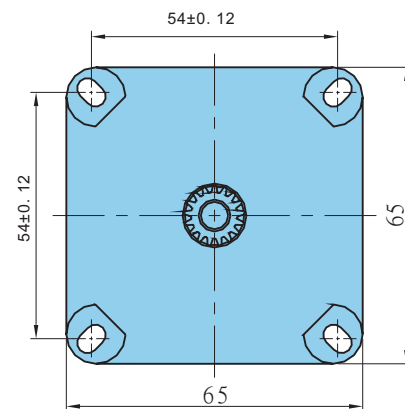
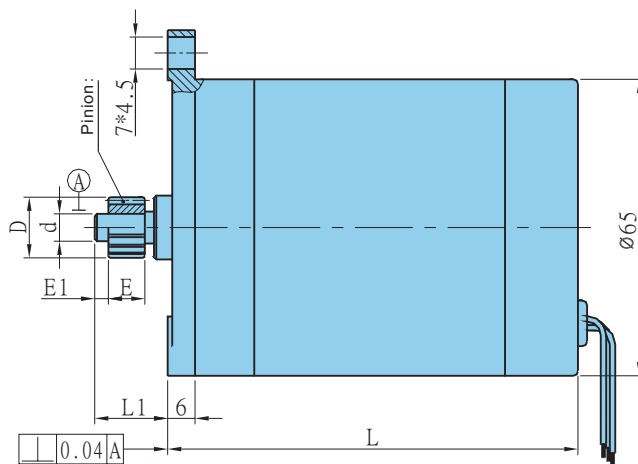


65TYN



Model	Voltage V	Phase	Frequency Hz	Speed r/min	Input current A	Input power W	Max. torque mN-m	Rated torque mN-m	Starting torque mN-m	Capacitor μ F/V	Weight Kg
65TYN6D4-1F	220	1	50	1000	0.25	50	260	220	140	1.5/500	0.9
65TYN6D4-2F	220	1	50	1000	0.32	65	320	280	200	1.5/500	1.3
65TYN4D4-2F	220	1	50	1500	0.38	80	360	320	240	2.2/500	1.3



Model	L	L1	d	E1	D	E	Z	M
65TYN6D4-1F	70	16	5	1	11.6	10	12	0.8
65TYN6D4-2F	90	16	6	3	13.3	8	17	0.7
65TYN4D4-2F	90	19	5	1	11.6	10	12	0.8

Wiring diagram:

