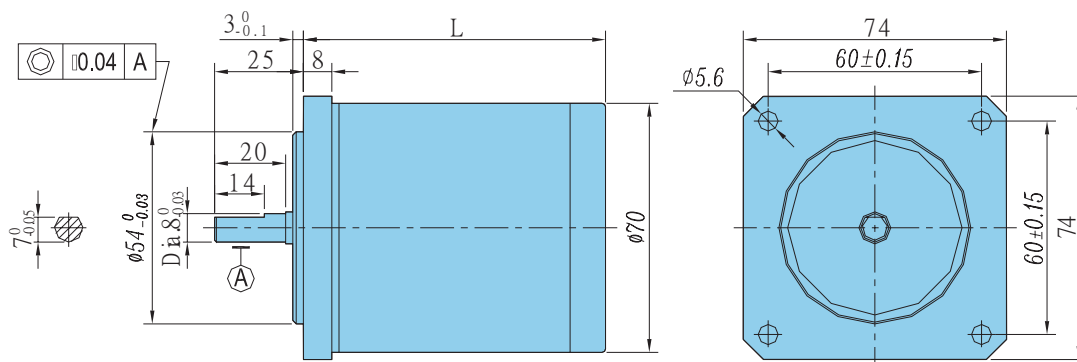


PM Slow Speed Synchronous Motor



70TDY

Model	Voltage V	Phase	Frequency Hz	Speed r/min	Input current A	Input power W	Max. torque mN-m	Rated torque mN-m	Starting torque mN-m	Inertia load g-cm ²	Moment of inertia g-cm ²	Capacitor μF/V	Resistor Ω/W	Weight Kg	Wiring diagram
70TDY060A4-1	220	1	50	60	0.10	20	750	700	300	1200	500	2.5/400		1.2	B
70TDY060A4-2	220	1	50	60	0.12	24	900	850	400	1500	700	2.0/400		1.6	B
70TDY060D1-2	24	1	50	60	1.10	24	900	850	450	1500	700	68/40	20/16	1.6	A
70TDY060D4-2	200	1	50	60	0.12	24	1100	1000	510	1500	700	0.8/400	1.5K/16	1.6	A
70TDY060D4-3	220	1	50	60	0.22	45	1300	1200	600	2100	1000	1.4/400	900/16	1.8	A
70TDY060S4-2	220	3	50	60	0.12	24	1200	1100	550	1500	700			1.6	D
70TDY060S5-2	380	3	50	60	0.07	24	1200	1100	550	1500	700			1.6	D
70TDY115D4-2	220	1	50	115.38	0.15	28	850	750	400	1500	700	0.8/400	1.5K/16	1.6	A
70TDY115D4-3	220	1	50	115.38	0.25	45	1100	1000	550	2000	1300	1.0/400	1.5K/16	1.8	A
70TDY115B-3	220/380	3/4	50	115.38	0.25/0.15	45	1300	1200	650	2000	1300			1.8	E
70TDY300A4-1	220	1	50	300	0.12	25	300	250	100	1100	500	1.8/400		1.2	B
70TDY300A4-2	220	1	50	300	0.20	40	450	380	200	1500	700	1.8/400		1.6	B
70TDY300S4-2	220	3	50	300	0.17	40	850	720	350	1500	700			1.6	D
70TDY300S5-2	380	3	50	300	0.10	40	850	720	350	1500	700			1.6	D



Model	70TDY-1	70TDY-2	70TDY-3
L	75	85	105