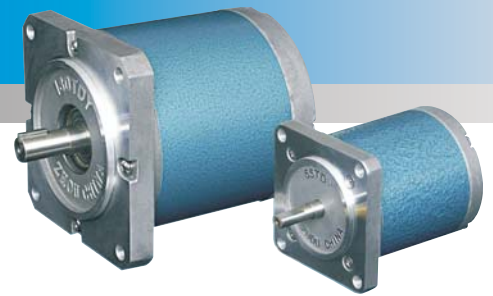


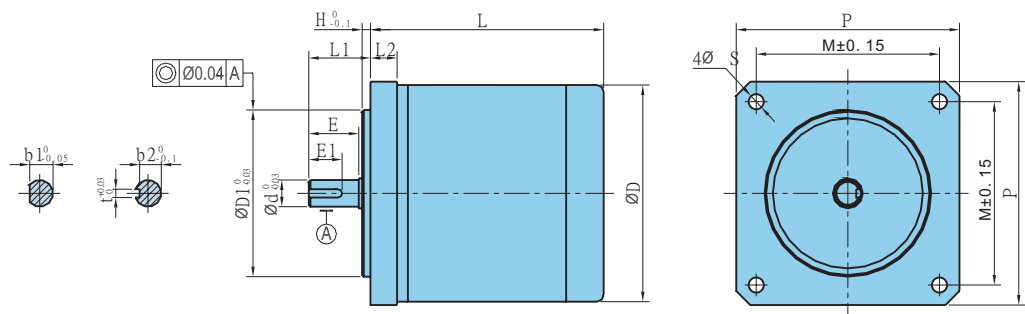
PM Low Speed Synchronous Motor



NEW
NEW

55TDY-150TDY

Model	Voltage V	Phase	Frequency Hz	Speed r/min	Input current A	Input power W	Max. torque mN-m	Rated torque mN-m	Starting torque mN-m	Inertia load g-cm ²	Moment of inertia g-cm ²	Capacitor μF/V	Resistor Ω/W	Weight Kg	Wiring diagram
55TDY060S2-2	36	3	50	60	0.35	16	550	500	300	600	160			0.7	D
55TDY060S4-2	220	3	50	60	0.075	16	550	500	300	600	160			0.7	D
70TDY115S4-2	220	3	50	115.38	0.14	28	1000	900	600	1500	700			1.6	D
70TDY115S5-2	380	3	50	115.38	0.14	28	1000	900	600	1500	700			1.6	D
70TDY136D4-2	220	1	50	136.36	0.15	28	700	630	350	1500	700	0.8/500	1.5K/16	1.6	A
90TDY167D4-2	220	1	50	166.67	0.45	85	1800	1600	800	9000	2400	3.0/500	560/50	3.2	A
90TDY214D4-2	220	1	50	214.29	0.45	85	1200	1100	500	9000	2400	3.0/500	560/50	3.2	A
130TDY115S4-2	220	3	50	115.38	1.0	180	10000	8600	6000	9000	13000			9.0	D
130TDY115S5-2	380	3	50	115.38	0.6	180	10000	8600	6000	30000	13000			9.0	D
150TDY115D4-2	220	1	50	115.38	1.2	210	9000	8000	5000	50000	23000	8.0/500	260/150	13.0	A
150TDY115S4-2	220	3	50	115.38	1.8	320	18500	17000	10000	50000	23000			13.0	D
150TDY115S5-2	380	3	50	115.38	1.1	320	18500	17000	10000	50000	23000			13.0	D



Model	D	D1	L	L1	L2	H	E	E1	d	b1	b2	t	P	M	S
55TDY	55	42	65	21	7	3	16	12	6	5			58	48	4.5
70TDY	70	54	85	25	8	3	20	14	8	7			74	60	5.5
90TDY	90	70	100	28	10	4	22	16	9	8			94	76	6.5
130TDY	130	100	140	37	16	5	30	20	16		13	5	134	110	9.0
150TDY	150	100	170	45	16	5	38	20	16		13	5	156	125	9.0