



PM stepper motor



Series Model	Step Angle (°)	Phase Voltage (V)	Phase Resistance (Ω)	Moderating Ratio	Freeload pull-in Frequency (PPS)	Freeload pull-out Frequency (PPS)	Pullin Torque (g.cm)	Detent Torque (g.cm)	Noise (dB)	Fig Wdg
R24BYJ48-01	5.625°/64	5	70	1/64	≥550	≥900	≥300	≥300	≤35	1,a
R24BYJ48-02	5.625°/64	12	300	1/64	≥550	≥900	≥300	≥300	≤35	1,a
R24BYJ48-03	5.625°/16	12	250	1/16	≥450	≥900	≥150	≥100	≤35	1,a
R28BYJ48-01	5.625°/64	5	60	1/64	≥550	≥900	≥290	≥290	≤35	2,a
R28BYJ48-02	5.625°/64	12	300	1/64	≥550	≥900	≥300	≥300	≤35	2,a
R35BYJ46-01	7.5°/85	12	130	1/85.25	≥350	≥800	≥800	≥350	≤35	3,a

Series Model	Step Angle (°)	Phase Voltage (V)	Phase Resistance (Ω)	Moderating Ratio	Freeload pull-in Frequency (PPS)	Freeload pull-out Frequency (PPS)	Pullin Torque (g.cm)	Detent Torque (g.cm)	Noise (dB)	Fig Wdg
R25BYHJ-01	7.5°/30	13	120	1/30	≥680	≥780	≥750	≥1400	≤35	4,d
R35BYHJ-01	7.5°/19	24	110	1/19	≥400	≥500	≥1700	≥2300	≤35	5,b
R35BYHJ-02	7.5°/19	12	30	1/19	≥360	≥500	≥1900	≥2600	≤35	5,b
R35BYHJ-03	7.5°/25	12	47	1/25	≥400	≥550	≥1500	≥3500	≤35	5,a
R42BYHJ-01	7.5°/24	12	27	1/24	≥380	≥480	≥1600	≥2500	≤35	6,c

Fig.1

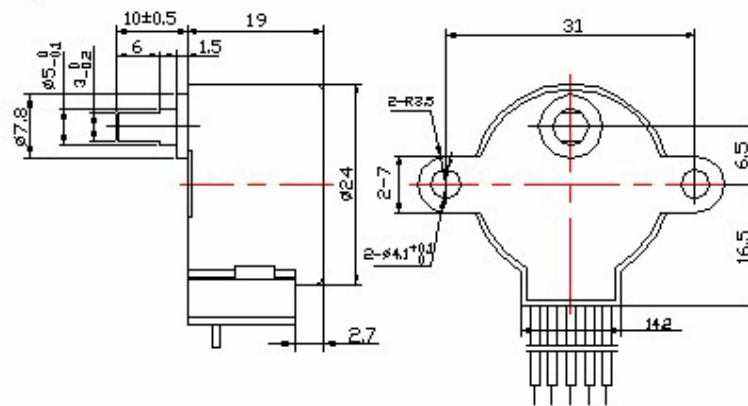


Fig.2

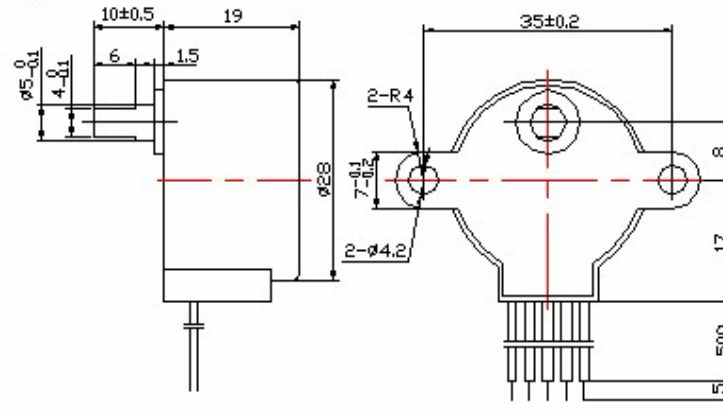


Fig.3

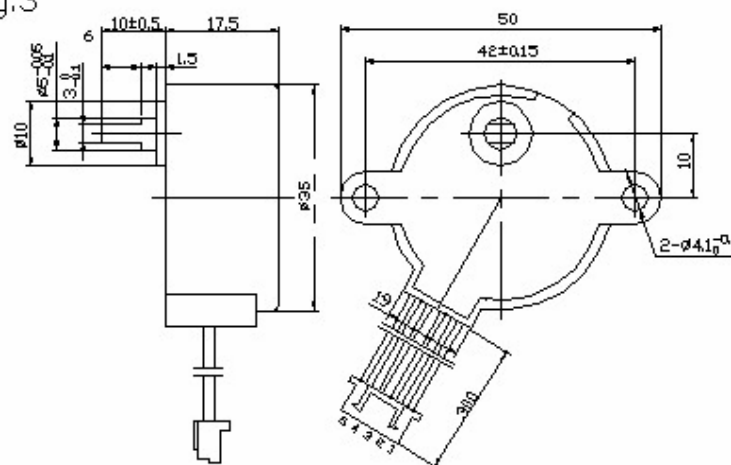


Fig. 4

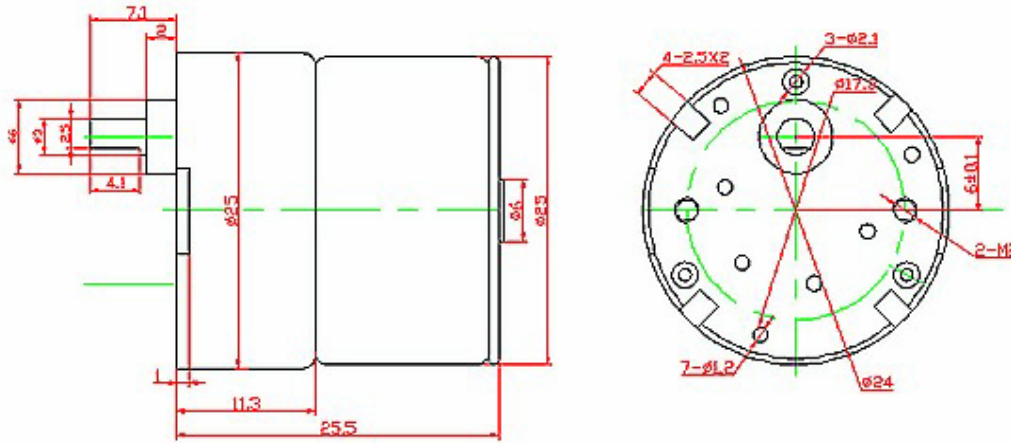
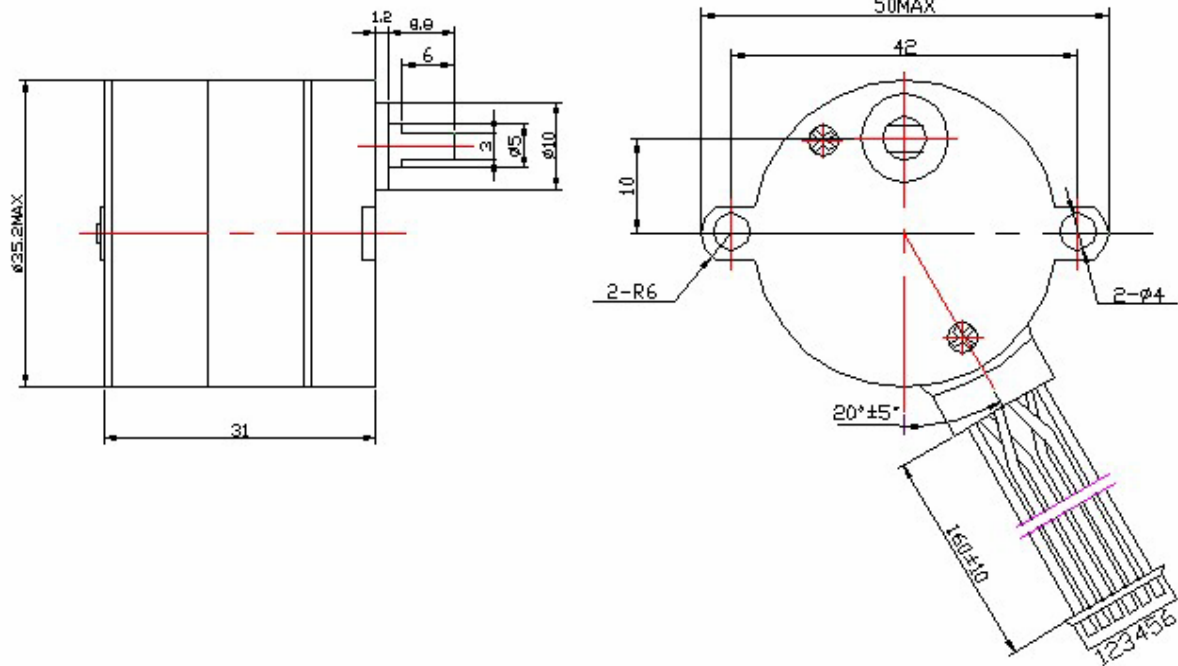
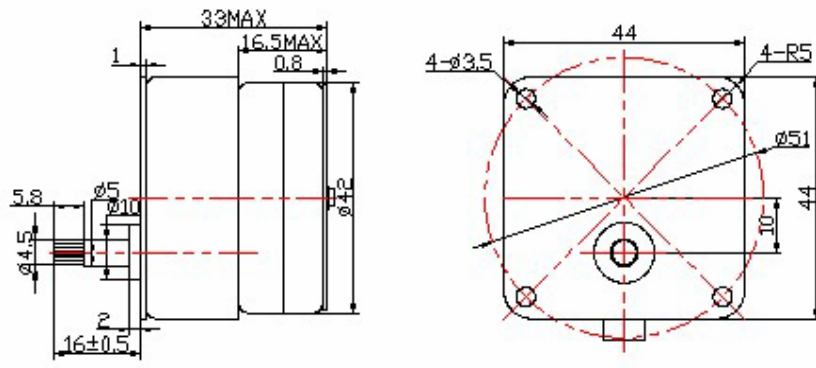
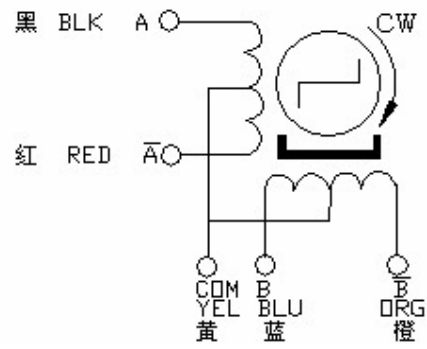


Fig.5





Wdg a



Wdg c

