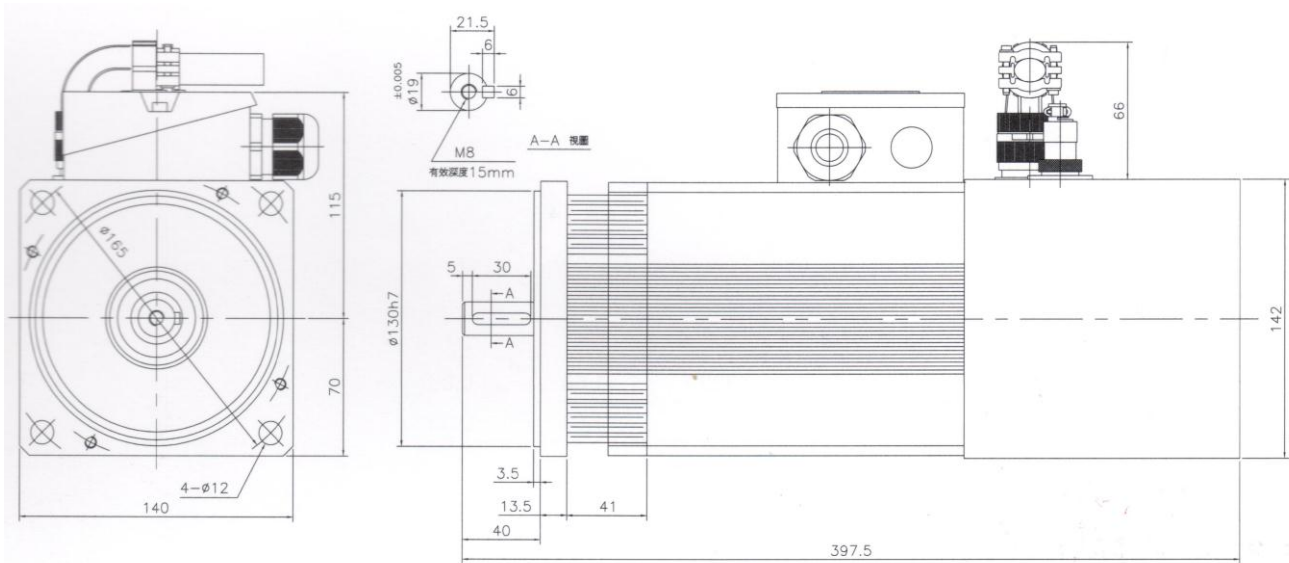


SERVO MOTOR

Model RMSF-80

IP54



產品規格 Standard

輸出 Output(kw)	0.75	1.1
框號 Frame No.	80LA	80LB
效率 Efficiency(%)	82.3%	83.3%
功因 Power Factor	0.824	0.856
R1(Ω) @25°C	6.548	4.500
極數 Poles	4	4
轉動慣量 Rotor Inertial(kg·m ²)	0.0020	0.0025
激磁電流 Magnetizing Current(A)	2.0	2.4
最高轉速 Max. Speed (rpm)	8000	8000
重量 Weight(kg)	13.0	14.4
編碼器 Encoder	1024PPR RS422(Line-drive)/Push-Pull	
風扇 Elec.Fan	1φ 230V 50/60Hz 45/39W	
軸承 Bearings	LS:6206C3	OS:6205C3

一般條件 General Data

安裝方式 Mounting	IM 3001(B5)
保護方式 Protection	IP54
轉子平衡 Rotor Balancing	R級 (ISO2373)R Degree
絕緣等級 Insulation	H級 Class H
冷卻系統 Cooling Sys.	強制通風 Forced Air Cooled
熱保護 Thermal Protection	熱保護器 (常閉) Thermal Protector (NC)
噪音 Noise	80dBA
周溫 Ambient Temp.	-15°C~40°C
高度 Altitude	海拔1000米 1000m ASL

Rebeck Enterprise Co., Ltd.

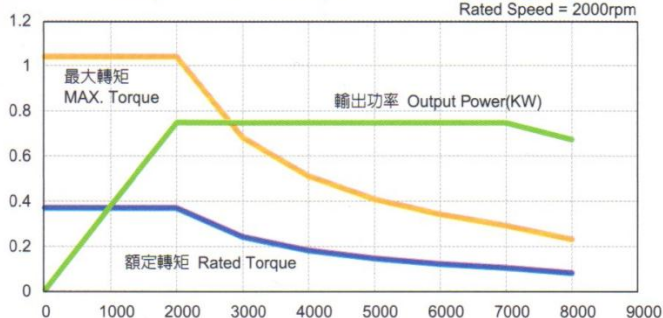
框號 Fr. No.	額定轉速	最大轉矩	額定轉矩	額定輸出	額定電流				額定頻率
	Rated Speed	Max. Torque	Rated Torque	Rated Output	Rated Current	Rated Current	Rated Current	Rated Current	Rated Frequency
	RPM	kg-m	kg-m	kw	190V	220V	330V	380V	Hz
80LA	2000	1.04	0.37	0.75	3.4	3.0	1.9	1.7	69.5
	3000	1.01	0.36	1.1	4.9	4.3	2.9	2.5	102.7
	4000	0.97	0.35	1.4	6.6	5.1	3.8	3.0	136.0
80LB	2000	1.52	0.54	1.1	4.7	4.2	2.7	2.4	70.0
	3000	1.47	0.52	1.6	7.1	6.0	4.1	3.4	102.9
	4000	1.45	0.52	2.1	8.8	7.8	5.1	4.5	136.6

TECHNICAL DATASHEET

轉速 Speed	△		Y		輸入功率 Input Power	最大轉矩 Max. Torque Tm	額定轉矩 Rated Torque Tm	輸出功率 Output Power	
	電壓 Voltage	電流 Current	電壓 Voltage	電流 Current					
RPM	V	A	V	A	kw	kg-m	kg-m	kw	
0.75KW 190V-2000RPM 負載特性(0.75KW Load Character)									
SF-80LA	5	22.0	2.78	38.1	1.61	0.11	1.04	0.37	0.00
	1000	106.4	3.37	184.3	1.95	0.53	1.04	0.37	0.38
	2000	190.3	3.36	329.6	1.94	0.91	1.02	0.37	0.75
	3000	190.3	3.04	329.7	1.75	0.89	0.68	0.24	0.75
	4000	190.4	2.93	329.7	1.69	0.88	0.48	0.18	0.75
	5000	190.3	2.88	329.7	1.66	0.88	0.34	0.15	0.75
	6000	190.3	2.84	329.7	1.64	0.88	0.26	0.12	0.75
	8000	190.4	2.81	329.7	1.62	0.87	0.20	0.10	0.75
1.1KW 190V-2000RPM 負載特性(1.1KW Load Character)									
SF-80LB	5	23.5	4.15	40.7	2.40	0.17	1.52	0.54	0.00
	1000	106.8	4.69	184.9	2.71	0.76	1.52	0.54	0.56
	2000	190.3	4.68	329.5	2.70	1.32	1.50	0.54	1.10
	3000	190.4	4.35	329.7	2.51	1.30	0.98	0.36	1.10
	4000	190.3	4.25	329.7	2.46	1.29	0.64	0.27	1.10
	5000	190.4	4.21	329.7	2.43	1.29	0.45	0.21	1.10
	6000	190.4	4.19	329.7	2.42	1.29	0.33	0.18	1.10
	8000	190.3	4.18	329.7	2.41	1.29	0.25	0.15	1.10

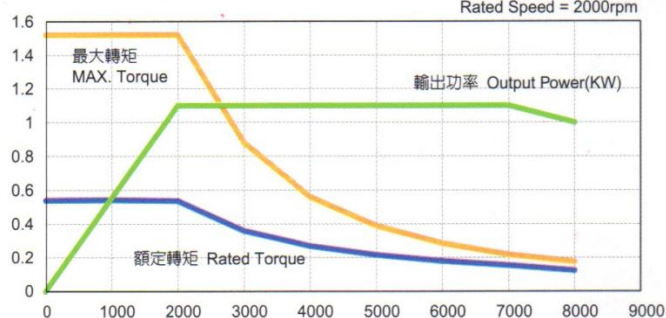
Torque Diagram / Power Diagram

Rated Power = 0.75KW
Rated Speed = 2000rpm



Torque Diagram / Power Diagram

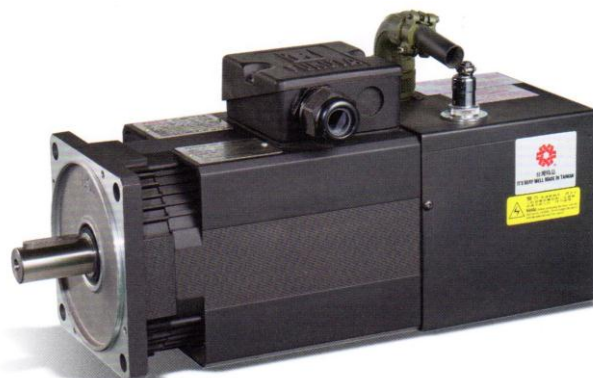
Rated Power = 1.1KW
Rated Speed = 2000rpm



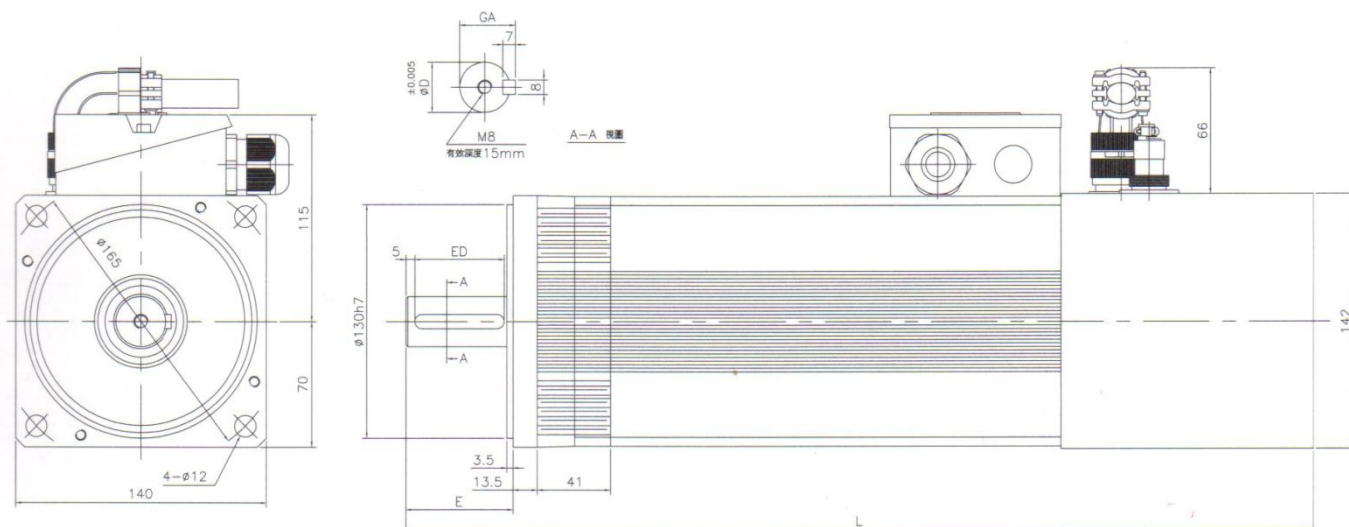
SERVO MOTOR

Model RMSF-90

IP54



	E	ED	D	GA	L
90MA	50	40	24	27	407.5
90MB	50	40	24	27	432.5
90L	60	60	28	31	507.5



產品規格 Standard

輸出 Output(kw)	1.5	2.2	3.7
框號 Frame No.	90MA	90MB	90L
效率 Efficiency(%)	83.8%	83.7%	84.3%
功因 Power Factor	0.854	0.88	0.894
R1(Ω) @25°C	3.257	2.258	1.321
極數 Poles	4	4	4
轉動慣量 Rotor Inertial(kg·m ²)	0.0030	0.0038	0.0059
激磁電流 Magnetizing Current(A)	3.2	3.9	6.1
最高轉速 Max. Speed (rpm)	8000	8000	8000
重量 Weight(kg)	16.4	18.9	26.0
編碼器 Encoder	1024PPR RS422(Line-drive)/Push-Pull		
風扇 Elec.Fan	1ø 230V 50/60Hz 45/39W		
軸承 Bearings	LS:6206C3	OS:6205C3	

一般條件 General Data

安裝方式 Mounting	IM 3001(B5)
保護方式 Protection	IP54
轉子平衡 Rotor Balancing	R級 (ISO2373)R Degree
絕緣等級 Insulation	H級 Class H
冷卻系統 Cooling Sys.	強制通風 Forced Air Cooled
熱保護 Thermal Protection	熱保護器 (常閉) Thermal Protector (NC)
噪音 Noise	80dBA
周溫 Ambient Temp.	-15°C~40°C
高度 Altitude	海拔1000米 1000m ASL

Rebeck Enterprise Co., Ltd.

框號 Fr. No.	額定轉速	最大轉矩	額定轉矩	額定輸出	額定電流				額定頻率
	Rated Speed	Max. Torque	Rated Torque	Rated Output	190V	220V	330V	380V	Rated Frequency
	RPM	kg-m	kg-m	kw					Hz
90MA	1500	2.01	0.72	1.1	5.1	4.4	3.0	2.6	52.6
	2000	2.06	0.74	1.5	6.4	5.6	3.7	3.2	69.9
	3000	1.83	0.65	2	8.5	7.4	4.9	4.9	102.8
	4000	1.72	0.61	2.5	10.4	8.9	6.0	5.1	136.2
90MB	1500	2.92	1.04	1.6	7.1	6.3	4.1	3.6	53.0
	2000	3.02	1.08	2.2	9.1	8.1	5.2	4.7	70.3
	3000	2.88	1.03	3	12.3	11.3	7.1	6.5	103.3
	4000	2.77	1.02	4.2	16.5	14.3	9.5	8.2	137.1
90L	1500	4.92	1.76	2.7	11.9	10.3	6.9	5.9	52.8
	2000	5.06	1.81	3.7	14.9	13.5	8.6	7.8	70.8
	3000	4.65	1.66	5.1	20.4	18.5	11.8	10.7	103.3
	4000	4.38	1.56	6.4	25.5	21.9	14.7	12.6	136.4

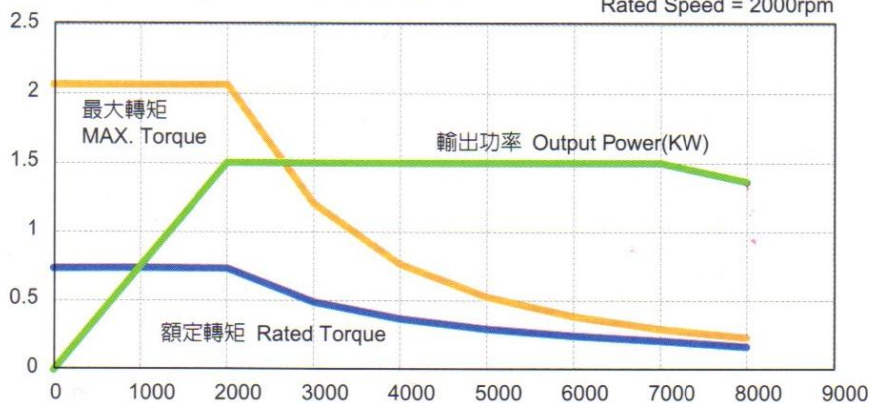
TECHNICAL DATASHEET

轉速 Speed	△		Y		輸入功率 Input Power	最大轉矩 Max. Torque Tm	額定轉矩 Rated Torque Tm	輸出功率 Output Power
	電壓 Voltage	電流 Current	電壓 Voltage	電流 Current				
RPM	V	A	V	A	kw	kg-m	kg-m	kw
1.5KW 190V-2000RPM 負載特性(1.5KW Load Character)								
5	23.1	5.67	41.3	3.34	0.22	2.06	0.74	0.00
1000	106.5	6.37	184.9	3.73	1.03	2.06	0.74	0.76
2000	190.3	6.36	329.9	3.73	1.79	2.05	0.73	1.50
3000	190.3	5.78	330.0	3.46	1.76	1.33	0.49	1.50
4000	190.3	5.78	330.0	3.38	1.75	0.87	0.37	1.50
5000	190.3	5.73	330.0	3.35	1.75	0.61	0.29	1.50
6000	190.3	5.70	330.0	3.34	1.75	0.45	0.24	1.50
7000	190.3	5.70	330.0	3.34	1.75	0.34	0.21	1.50
8000	190.3	5.04	330.0	3.35	1.56	0.28	0.17	1.36

SF-90MA

Torque Diagram / Power Diagram

Rated Power = 1.5KW
Rated Speed = 2000rpm

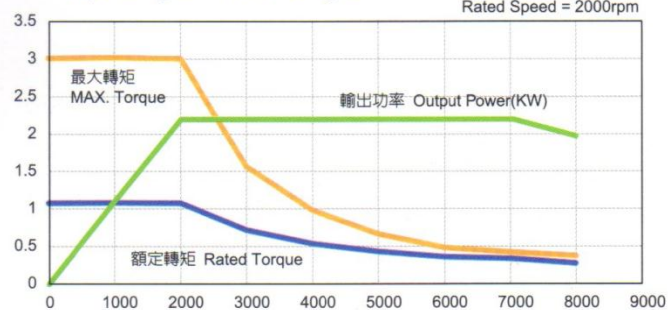


轉速 Speed	△		Y		輸入功率 Input Power	最大轉矩 Max. Torque Tm	額定轉矩 Rated Torque Tm	輸出功率 Output Power
	電壓 Voltage	電流 Current	電壓 Voltage	電流 Current				
RPM	V	A	V	A	kw	kg-m	kg-m	kw
2.2KW 190V-2000RPM 負載特性(2.2KW Load Character)								
5	25.9	8.64	44.9	4.99	0.38	3.02	1.08	0.00
1000	107.3	9.07	185.9	5.24	1.51	3.02	1.08	1.11
2000	190.3	9.07	329.5	5.23	2.63	3.00	1.07	2.20
3000	190.3	8.60	329.7	4.96	2.60	1.75	0.71	2.20
4000	190.3	8.52	329.7	4.92	2.60	1.12	0.54	2.20
5000	190.3	8.52	329.7	4.92	2.60	0.77	0.43	2.20
6000	190.3	8.56	329.7	4.94	2.60	0.57	0.36	2.20
7000	190.3	8.66	329.7	5.00	2.61	0.43	0.31	2.20
8000	190.3	7.68	329.7	4.43	2.33	0.34	0.24	2.00
3.7KW 190V-2000RPM 負載特性(3.7KW Load Character)								
5	25.9	14.58	44.9	8.42	0.64	5.06	1.81	0.00
1000	107.2	14.91	185.7	8.61	2.51	5.06	1.81	1.86
2000	190.3	14.90	329.6	8.60	4.39	5.05	1.80	3.70
3000	190.3	14.29	329.7	8.25	4.35	2.86	1.20	3.70
4000	190.3	14.24	329.7	8.22	4.35	1.81	0.90	3.70
5000	190.3	14.31	329.7	8.26	4.36	1.24	0.72	3.70
6000	190.3	14.48	329.7	8.36	4.38	0.90	0.60	3.70
6500	190.3	14.61	329.7	7.42	4.39	0.78	0.55	3.70
8000	190.3	12.11	329.6	6.99	3.67	0.55	0.39	3.18

SF-90MB

Torque Diagram / Power Diagram

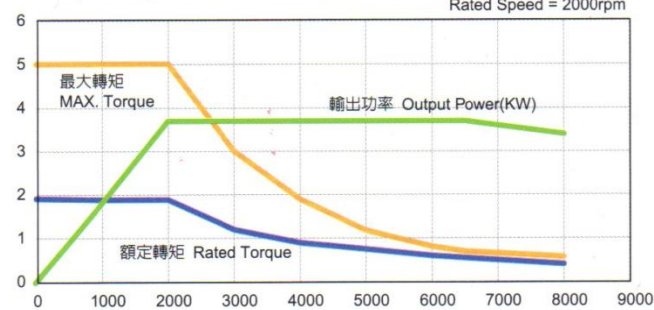
Rated Power = 2.2KW
Rated Speed = 2000rpm



SF-90L

Torque Diagram / Power Diagram

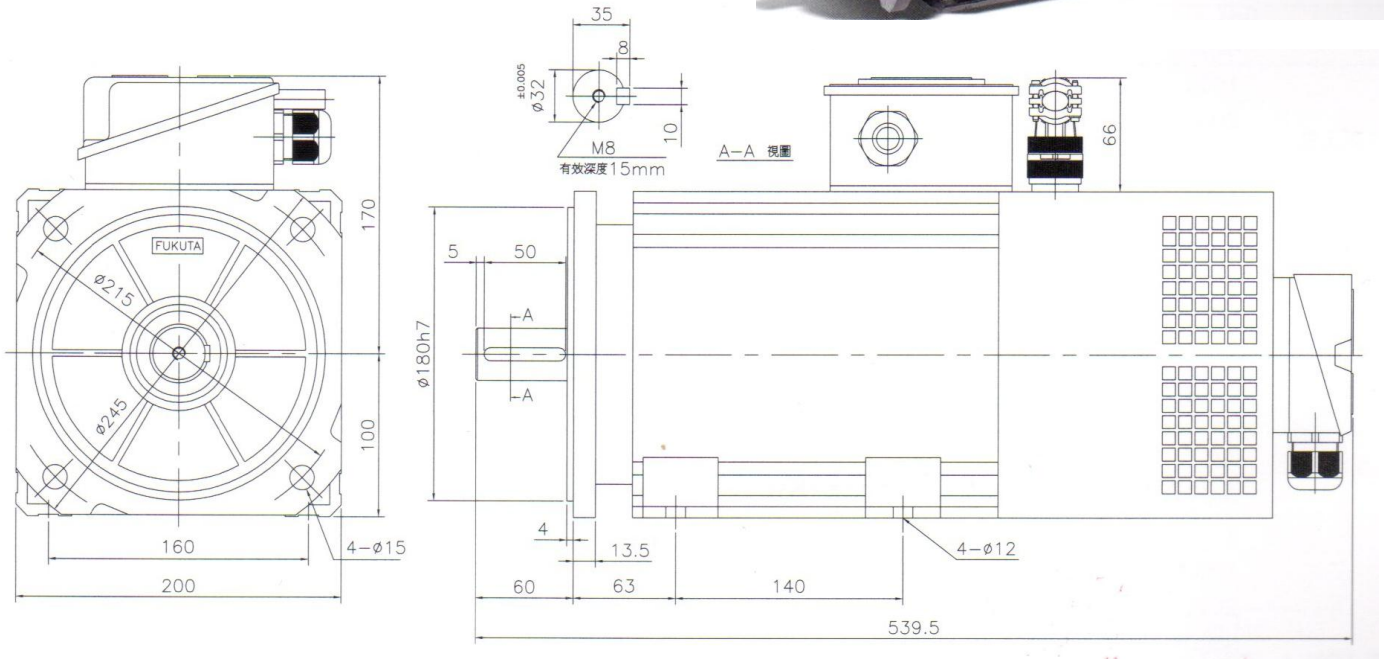
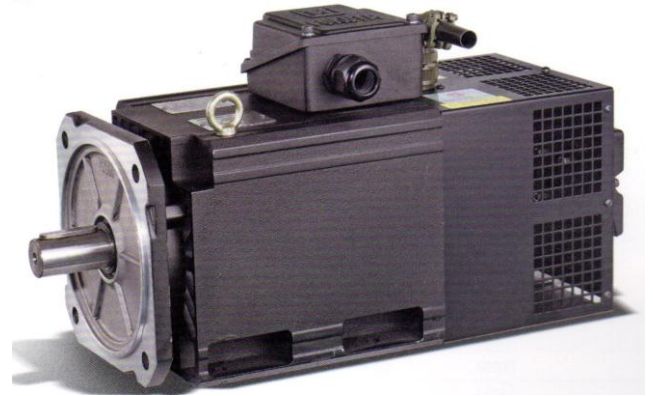
Rated Power = 3.7KW
Rated Speed = 2000rpm



SERVO MOTOR

Model RMSF-100

IP54



產品規格 Standard

輸出 Output(kw)	3.8	5.5
框號 Frame No.	100LA	100LB
效率 Efficiency(%)	86.7%	86.4%
功因 Power Factor	0.864	0.888
R1(Ω) @25°C	0.983	0.659
極數 Poles	4	4
轉動慣量 Rotor Inertial(kg·m ²)	0.0061	0.0076
激磁電流 Magnetizing Current(A)	6.5	8.8
最高轉速 Max. Speed (rpm)	8000	8000
重量 Weight(kg)	29.5	33
編碼器 Encoder	1024PPR RS422(Line-drive)/Push-Pull	
風扇 Elec.Fan	1ø 230V 50/60Hz 82/100W	
軸承 Bearings	LS:6307C3	OS:6305C3

一般條件 General Data

安裝方式 Mounting	IM 2001(B3, B5)
保護方式 Protection	IP54
轉子平衡 Rotor Balancing	R級 (ISO2373)R Degree
絕緣等級 Insulation	H級 Class H
冷卻系統 Cooling Sys.	強制通風 Forced Air Cooled
熱保護 Thermal Protection	熱保護器 (常閉) Thermal Protector (NC)
噪音 Noise	80dBA
周溫 Ambient Temp.	-15°C~40°C
高度 Altitude	海拔1000米 1000m ASL

Rebeck Enterprise Co., Ltd.

框號 Fr. No.	額定轉速	最大轉矩	額定轉矩	額定輸出	額定電流				額定頻率
	Rated Speed	Max. Torque	Rated Torque	Rated Output	Rated Current	Rated Current	Rated Current	Rated Current	Rated Frequency
	RPM	kg-m	kg-m	kw	190V	220V	330V	380V	Hz
100LA	1500	5.1	1.82	2.8	11.5	9.9	6.6	5.7	52.9
	2000	5.2	1.86	3.8	15.4	13.2	8.9	7.6	69.4
	3000	4.74	1.69	5.2	23.0	17.8	13.3	10.3	102.6
	4000	4.6	1.60	6.4	24.5	21.9	14.1	12.6	136.6
100LB	1500	7.29	2.60	4.0	16.1	14.6	9.3	8.4	53.1
	2000	7.52	2.69	5.5	21.8	18.6	12.6	10.7	69.7
	3000	6.74	2.41	7.1	31.2	25.0	18.0	14.4	101.8
	4000	6.15	2.2	9.0	33.7	31.5	19.4	18.2	136.2

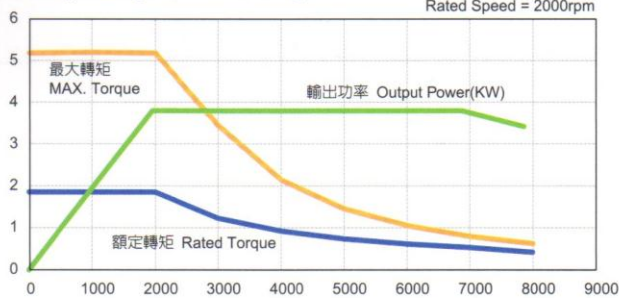
TECHNICAL DATASHEET

	轉速 Speed	△		Y		輸入功率 Input Power	最大轉矩 Max. Torque Tm	額定轉矩 Rated Torque Tm	輸出功率 Output Power	
		電壓 Voltage	電流 Current	電壓 Voltage	電流 Current					
	RPM	V	A	V	A	kw	kg-m	kg-m	kw	
SF-100LA	3.8KW 190V-2000RPM 負載特性(3.8KW Load Character)									
	5	19.4	14.50	33.5	8.37	0.48	5.20	1.86	0.00	
	1000	104.2	15.41	180.5	8.90	2.44	5.20	1.86	1.91	
	2000	190.3	15.41	329.6	8.90	4.39	5.19	1.85	3.80	
	3000	190.3	14.35	329.7	8.28	4.33	3.45	1.23	3.80	
	4000	190.3	14.17	329.7	8.18	4.32	2.14	0.93	3.80	
	5000	190.3	14.22	329.7	8.21	4.33	1.46	0.74	3.80	
	6000	190.3	14.35	329.6	8.29	4.34	1.05	0.62	3.80	
	7000	190.3	14.55	329.7	8.40	4.35	0.79	0.53	3.80	
SF-100LB	5.5KW 190V-2000RPM 負載特性(5.5KW Load Character)									
	5	21.7	21.71	37.5	12.53	0.79	7.52	2.69	0.00	
	1000	104.9	21.74	181.8	12.55	3.55	7.52	2.69	2.76	
	2000	190.3	21.75	329.6	12.56	6.37	7.50	2.68	5.50	
	3000	190.3	20.76	329.7	11.99	6.31	4.43	1.79	5.50	
	4000	190.3	20.71	329.7	11.96	6.31	2.71	1.34	5.50	
	5000	190.3	20.97	329.7	12.11	6.33	1.83	1.07	5.50	
	6000	190.3	21.41	329.7	12.36	6.37	1.31	0.89	5.50	
	6529	190.3	21.76	329.6	12.56	6.40	1.12	0.82	5.50	
8000	190.3	17.95	329.7	10.36	5.31	0.79	0.57	4.68		

SF-100LA

Torque Diagram / Power Diagram

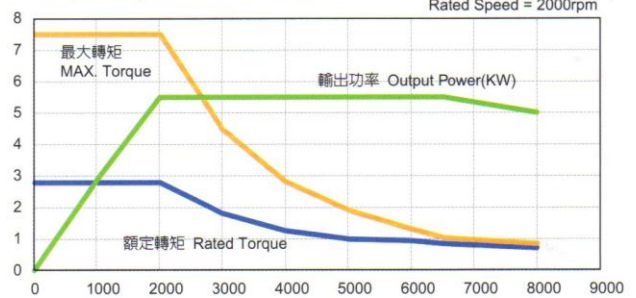
Rated Power = 3.8KW
Rated Speed = 2000rpm



SF-100LB

Torque Diagram / Power Diagram

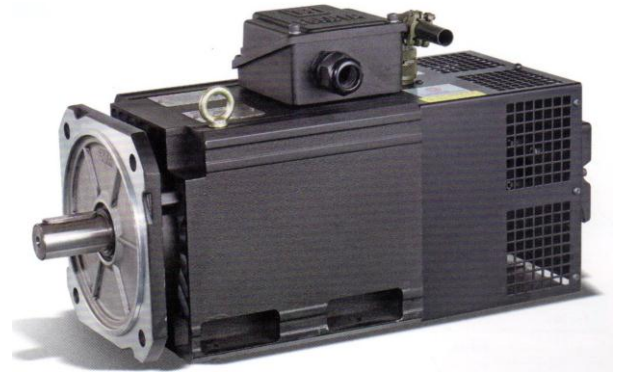
Rated Power = 5.5KW
Rated Speed = 2000rpm



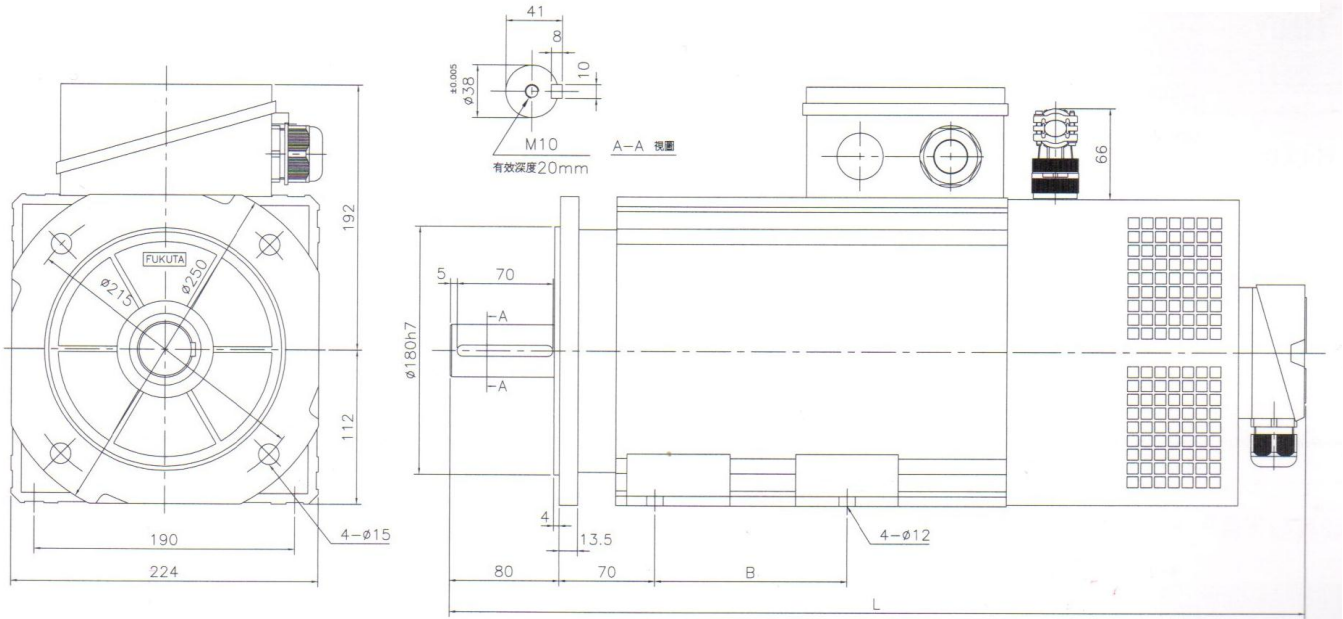
SERVO MOTOR

Model RMSF-112

IP54



	B	L
112L	140	624.6
112XA	245	734.6
112XB	245	734.6



產品規格 Standard

輸出 Output(kw)	7.5	11	15
框號 Frame No.	112L	112XA	112XB
效率 Efficiency(%)	90.0%	90.5%	90.5%
功因 Power Factor	0.903	0.895	0.906
R1(Ω) @25°C	0.368	0.233	0.174
極數 Poles	4	4	4
轉動慣量 Rotor Inertial(kg·m ²)	0.0153	0.0212	0.0282
激磁電流 Magnetizing Current(A)	11.4	16.3	19.9
最高轉速 Max. Speed (rpm)	7000	7000	7000
重量 Weight(kg)	45.0	65	72.0
編碼器 Encoder	1024PPR RS422(Line-drive)/Push-Pull		
風扇 Elec.Fan	1φ 230V 50/60Hz 82/100W		
軸承 Bearings	LS:6308C3	OS:6306C3	

一般條件 General Data

安裝方式 Mounting	IM 2001(B3, B5)
保護方式 Protection	IP54
轉子平衡 Rotor Balancing	R級 (ISO2373)R Degree
絕緣等級 Insulation	H級 Class H
冷卻系統 Cooling Sys.	強制通風 Forced Air Cooled
熱保護 Thermal Protection	熱保護器 (常閉) Thermal Protector (NC)
噪音 Noise	80dBA
周溫 Ambient Temp.	-15°C~40°C
高度 Altitude	海拔1000米 1000m ASL

Rebeck Enterprise Co., Ltd.

框號 Fr. No.	額定轉速	最大轉矩	額定轉矩	額定輸出	額定電流				額定頻率
	Rated Speed	Max. Torque	Rated Torque	Rated Output	Rated Current	Rated Current	Rated Current	Rated Current	Rated Frequency
	RPM	kg-m	kg-m	kw	190V	220V	330V	380V	Hz
112L	1500	10.02	3.58	5.5	22.6	19.6	13.0	11.3	52.1
	2000	10.25	3.66	7.5	28.0	25.2	16.2	14.6	69.0
	3000	9.11	3.25	10.0	38.0	33.0	22.0	19.1	102.1
	4000	8.2	2.93	12.0	45.1	39.1	26.0	22.6	135.5
112XA	1500	14.8	5.3	8.2	32.2	28.1	18.6	16.2	52.4
	2000	15.02	5.37	11.0	41.2	39.0	23.8	22.5	69.0
	3000	13.3	4.7	15.0	57.9	50.4	33.4	29.1	102.0
	4000	10.8	3.8	16.5	65.7	56.6	38	32.7	134.6
112XB	1500	20.37	7.27	11.0	42.9	37.9	24.8	21.9	52.4
	2000	20.48	7.31	15.0	55.5	48.5	32.0	28.0	69.1
	3000	18.1	6.5	20.0	77.6	64.2	44.8	37.1	101.6
	4000	17.1	6.1	25.0	93.2	80.5	53.8	46.5	133.3

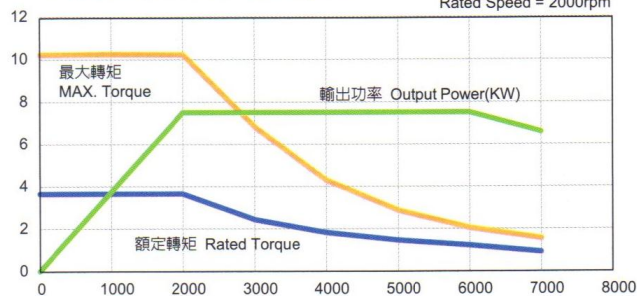
TECHNICAL DATASHEET

轉速 Speed	△		Y		輸入功率 Input Power	最大轉矩 Max. Torque Tm	額定轉矩 Rated Torque Tm	輸出功率 Output Power
	電壓 Voltage	電流 Current	電壓 Voltage	電流 Current				
RPM	V	A	V	A	kw	kg-m	kg-m	kw
7.5KW 190V-2000RPM 負載特性(7.5KW Load Character)								
5	14.6	27.26	25.3	15.74	0.68	10.25	3.66	0.00
1000	102.1	28.00	176.8	16.17	4.50	10.25	3.66	3.76
2000	190.3	28.03	329.6	16.18	8.34	10.23	3.65	7.50
3000	190.3	26.83	329.7	15.49	8.28	6.82	2.44	7.50
4000	190.3	26.75	329.7	15.44	8.28	4.30	1.83	7.50
5000	190.3	26.96	329.7	15.57	8.29	2.87	1.46	7.50
6000	190.3	27.31	329.7	15.77	8.31	2.05	1.22	7.50
7000	190.3	23.62	329.7	13.64	7.20	1.55	0.92	6.58

SF-112L

Torque Diagram / Power Diagram

Rated Power = 7.5KW
Rated Speed = 2000rpm



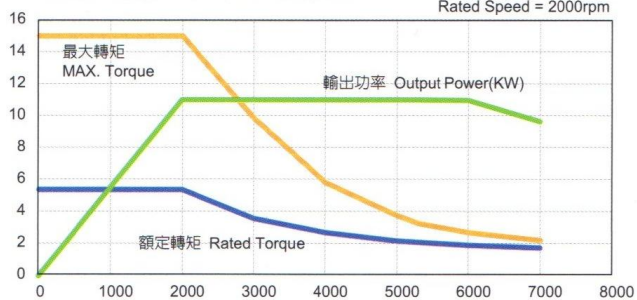
TECHNICAL DATASHEET

轉速 Speed	△		Y		輸入功率 Input Power	最大轉矩 Max. Torque Tm	額定轉矩 Rated Torque Tm	輸出功率 Output Power	
	電壓 Voltage	電流 Current	電壓 Voltage	電流 Current					
RPM	V	A	V	A	kw	kg-m	kg-m	kw	
11KW 190V-2000RPM 負載特性(11KW Load Character)									
SF-112XA	5	13.7	39.98	23.7	23.08	0.93	15.02	5.37	0.00
	1000	101.6	41.13	175.9	23.75	6.53	15.02	5.37	5.51
	2000	190.3	41.18	329.7	23.77	12.15	15.01	5.36	11.00
	3000	190.3	39.27	329.7	22.67	12.07	10.00	3.57	11.00
	4000	190.3	39.14	329.7	22.60	12.07	6.29	2.68	11.00
	5000	190.3	39.48	329.7	22.79	12.08	4.18	2.14	11.00
	6000	190.3	40.03	329.7	23.11	12.11	2.97	1.79	11.00
	7000	190.3	34.60	329.7	19.98	10.49	2.24	1.34	9.64
15KW 190V-2000RPM 負載特性(15KW Load Character)									
SF-112XB	5	14.4	55.31	24.9	31.93	1.35	20.48	7.31	0.00
	1000	101.8	55.42	176.3	31.99	8.92	20.47	7.31	7.50
	2000	190.3	55.49	329.7	32.04	16.58	20.46	7.31	15.00
	3000	190.3	53.66	329.7	30.98	16.50	13.42	4.87	15.00
	4000	190.3	53.69	329.7	31.00	16.50	8.00	3.65	15.00
	5000	190.3	54.34	329.7	31.38	16.54	5.30	2.92	15.00
	6000	190.3	55.35	329.7	31.96	16.59	3.76	2.44	15.00
	7000	190.3	47.85	329.6	27.63	14.38	2.84	1.83	13.16

SF-112XA

Torque Diagram / Power Diagram

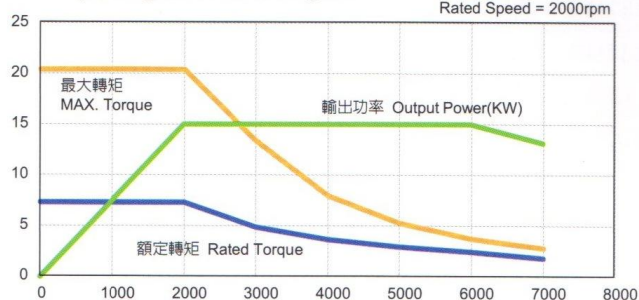
Rated Power = 11KW
Rated Speed = 2000rpm



SF-112XB

Torque Diagram / Power Diagram

Rated Power = 15KW
Rated Speed = 2000rpm

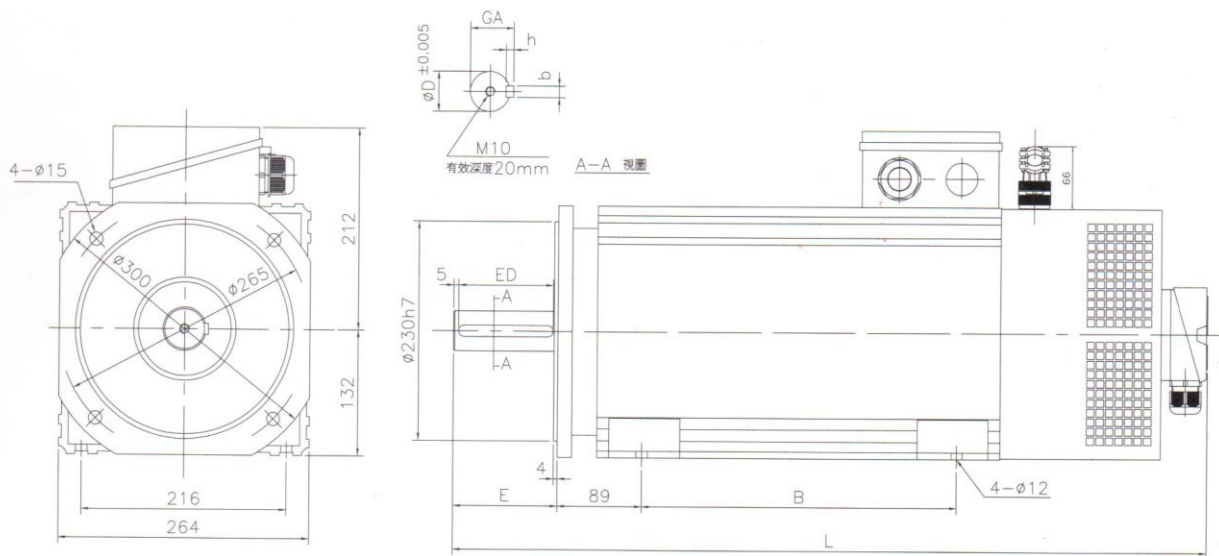
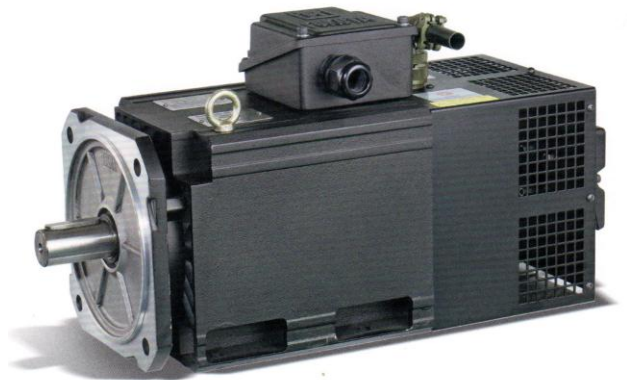


SERVO MOTOR

Model RMSF-132

IP54

	B	D	F	ED	B	H	GA	L
132MA	178	38	80	70	10	8	41	634.6
132MB	178	42	110	100	12	8	45	664.6
132L	332	42	110	100	12	8	45	794.6
132LA	332	42	110	100	12	8	45	794.6



產品規格 Standard

輸出 Output(kw)	15	18.5	22	30
框號 Frame No.	132MA	132MB	132L	132LA
效率 Efficiency(%)	90.2%	91.5%	92.1%	91.5%
功因 Power Factor	0.924	0.91	0.90	0.915
R1(Ω) @25°C	0.221	0.146	0.106	0.086
極數 Poles	4	4	4	4
轉動慣量 Rotor Inertial(kg·m ²)	0.0404	0.0498	0.0608	0.0735
激磁電流 Magnetizing Current(A)	14.3	20.7	28.1	31.2
最高轉速 Max. Speed (rpm)	6000	6000	6000	6000
重量 Weight(kg)	77.5	87.0	107.0	123.0
編碼器 Encoder	1024PPR RS422(Line-drive)/Push-Pull			
風扇 Elec.Fan	1φ 230V 50/60Hz 105/145W			
軸承 Bearings	LS:6309C3	OS:6308C3		

一般條件 General Data

安裝方式 Mounting	IM 2001(B3 · B5)
保護方式 Protection	IP54
轉子平衡 Rotor Balancing	R級 (ISO2373)R Degree
絕緣等級 Insulation	H級 Class H
冷卻系統 Cooling Sys.	強制通風 Forced Air Cooled
熱保護 Thermal Protection	熱保護器 (常閉) Thermal Protector (NC)
噪音 Noise	80dBA
周溫 Ambient Temp.	-15°C~40°C
高度 Altitude	海拔1000米 1000m ASL

Rebeck Enterprise Co., Ltd.

框號 Fr. No.	額定轉速	最大轉矩	額定轉矩	額定輸出	額定電流				額定頻率
	Rated Speed	Max. Torque	Rated Torque	Rated Output	Rated Current	Rated Current	Rated Current	Rated Current	Rated Frequency
	RPM	kg-m	kg-m	kw	190V	220V	330V	380V	Hz
132MA	1500	20	7.14	11.0	42.0	36.3	24.3	21.0	51.7
	2000	20.48	7.31	15.0	54.6	48.3	31.5	27.9	68.7
	3000	18.21	6.5	20.0	76.9	63.5	44.4	36.6	101.7
	4000	17.6	6.2	25.0	92.5	79.8	53.4	46.1	133.3
132MB	1500	25.13	8.97	13.8	57.2	49.4	33	28.5	51.8
	2000	25.25	9.02	18.5	67.4	60.0	38.9	34.6	68.4
	3000	23.66	8.45	26.0	98.3	82.1	56.7	47.4	101.7
	4000	23	8.2	33.3	121.5	104.9	70.1	60.6	133.3
132L	1500	30.3	10.72	16.5	63.2	54.6	36.5	31.5	51.5
	2000	30.03	10.72	22.0	80.6	69.2	46.5	39.9	68.1
	3000	28.2	10.07	31.0	117.6	99.1	67.9	57.2	101.5
	4000	25.7	9.1	37.4	136.0	117.4	78.5	67.8	133.3
132LA	1500	40	14.2	22.0	82.8	71.7	47.8	41.4	51.7
	2000	40.94	14.62	30.0	108.7	96.0	62.8	55.4	68.5
	3000	37.8	13	40.0	153.8	132.9	88.8	76.7	100.0
	4000	35.2	12.4	50.0	184.9	159.7	106.8	92.2	133.3

TECHNICAL DATASHEET

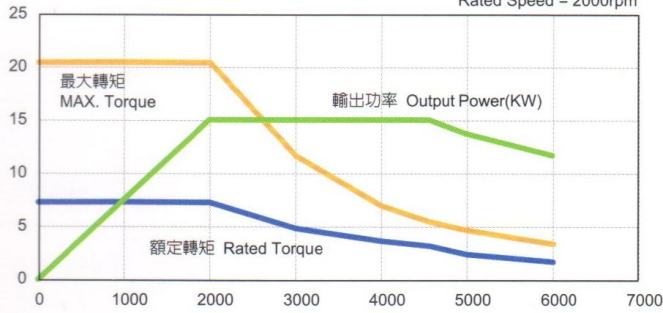
轉速 Speed	△		Y		輸入功率 Input Power	最大轉矩 Max. Torque Tm	額定轉矩 Rated Torque Tm	輸出功率 Output Power
	電壓 Voltage	電流 Current	電壓 Voltage	電流 Current				
RPM	V	A	V	A	kw	kg-m	kg-m	kw
15KW 190V-2000RPM 負載特性(15KW Load Character)								
5	14.8	54.56	25.7	31.50	1.39	20.48	7.31	0.00
1000	102.2	54.57	177.0	31.50	8.98	20.48	7.31	7.51
2000	190.3	54.61	329.7	31.53	16.63	20.46	7.31	15.00
3000	190.3	53.55	329.7	30.92	16.57	11.68	4.87	15.00
4000	190.3	54.03	329.7	31.19	16.60	7.00	3.65	15.00
4560	190.3	54.61	329.6	31.53	16.63	5.50	3.21	15.00
5000	190.3	49.43	329.6	28.54	15.06	4.68	2.67	13.70
6000	190.3	41.63	329.7	24.04	12.70	3.37	1.90	11.70
18.5KW 190V-2000RPM 負載特性(18.5KW Load Character)								
5	12.4	67.27	21.4	38.84	1.42	25.25	9.02	0.00
1000	100.9	67.29	174.7	38.85	10.77	25.25	9.02	9.26
2000	190.3	67.36	329.6	38.89	20.21	25.24	9.01	18.50
3000	190.3	64.96	329.7	37.51	20.12	16.43	6.01	18.50
4000	190.3	65.13	329.7	37.61	20.12	9.78	4.51	18.50
5000	190.3	66.01	329.7	38.11	20.16	6.47	3.61	18.50
6000	190.3	67.31	329.7	38.86	20.21	4.59	3.00	18.50

Rebeck Enterprise Co., Ltd.

SF-132MA

Torque Diagram / Power Diagram

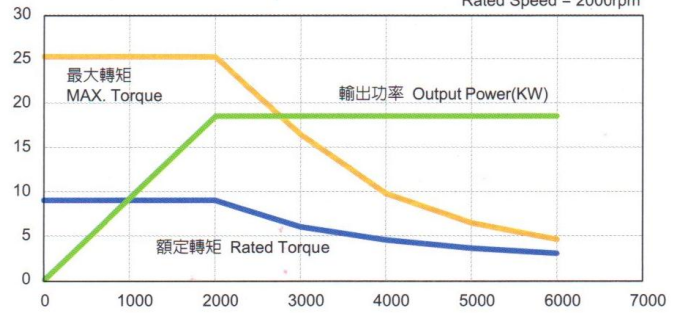
Rated Power = 15KW
Rated Speed = 2000rpm



SF-132MB

Torque Diagram / Power Diagram

Rated Power = 18.5KW
Rated Speed = 2000rpm

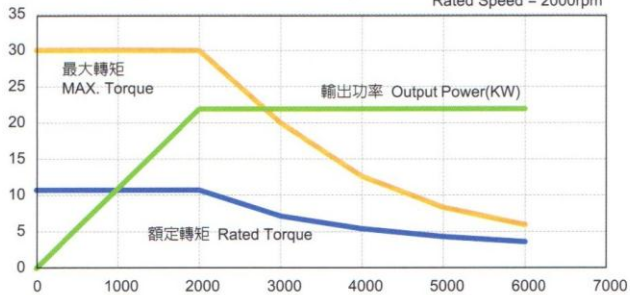


轉速 Speed	Δ		Y		輸入功率 Input Power	最大轉矩 Max. Torque Tm	額定轉矩 Rated Torque Tm	輸出功率 Output Power	
	電壓 Voltage	電流 Current	電壓 Voltage	電流 Current					
RPM	V	A	V	A	kw	kg-m	kg-m	kw	
22KW 190V-2000RPM 負載特性(22KW Load Character)									
SF-132L	5	11.0	78.46	19.0	45.30	1.47	30.03	10.72	0.00
	1000	100.3	80.45	173.8	46.45	12.67	30.03	10.72	11.01
	2000	190.3	80.54	329.6	46.50	23.90	30.01	10.72	22.00
	3000	190.3	76.64	329.7	44.25	23.76	20.01	7.15	22.00
	4000	190.3	76.58	329.7	44.22	23.75	12.59	5.36	22.00
	5000	190.3	77.34	329.7	44.65	23.78	8.33	4.29	22.00
	6000	190.3	78.51	329.7	45.33	23.82	5.91	3.57	22.00
30KW 190V-2000RPM 負載特性(30KW Load Character)									
SF-132LA	5	12.4	108.63	21.5	62.72	2.30	40.94	14.62	0.00
	1000	100.9	108.56	174.8	62.68	17.47	40.94	14.62	15.00
	2000	190.3	108.67	329.6	62.74	32.77	40.92	14.61	30.00
	3000	190.3	105.44	329.7	60.88	32.64	25.05	9.74	30.00
	4000	190.3	106.08	329.7	61.24	32.66	14.85	7.31	30.00
	5000	190.3	107.99	329.7	62.35	32.74	9.80	5.85	30.00
	5262	190.3	108.68	329.6	62.75	32.77	8.89	5.56	30.00
6000	190.3	90.88	329.6	52.47	27.56	7.01	4.15	25.55	

SF-132L

Torque Diagram / Power Diagram

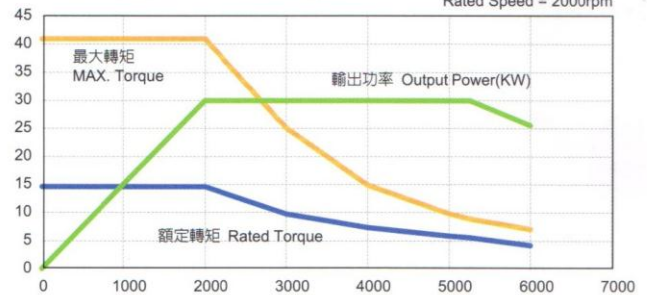
Rated Power = 22KW
Rated Speed = 2000rpm



SF-132LA

Torque Diagram / Power Diagram

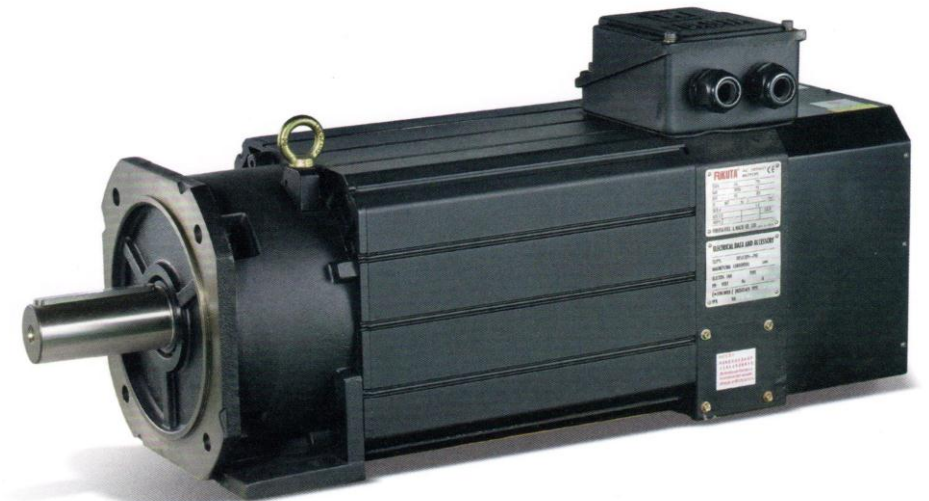
Rated Power = 30KW
Rated Speed = 2000rpm



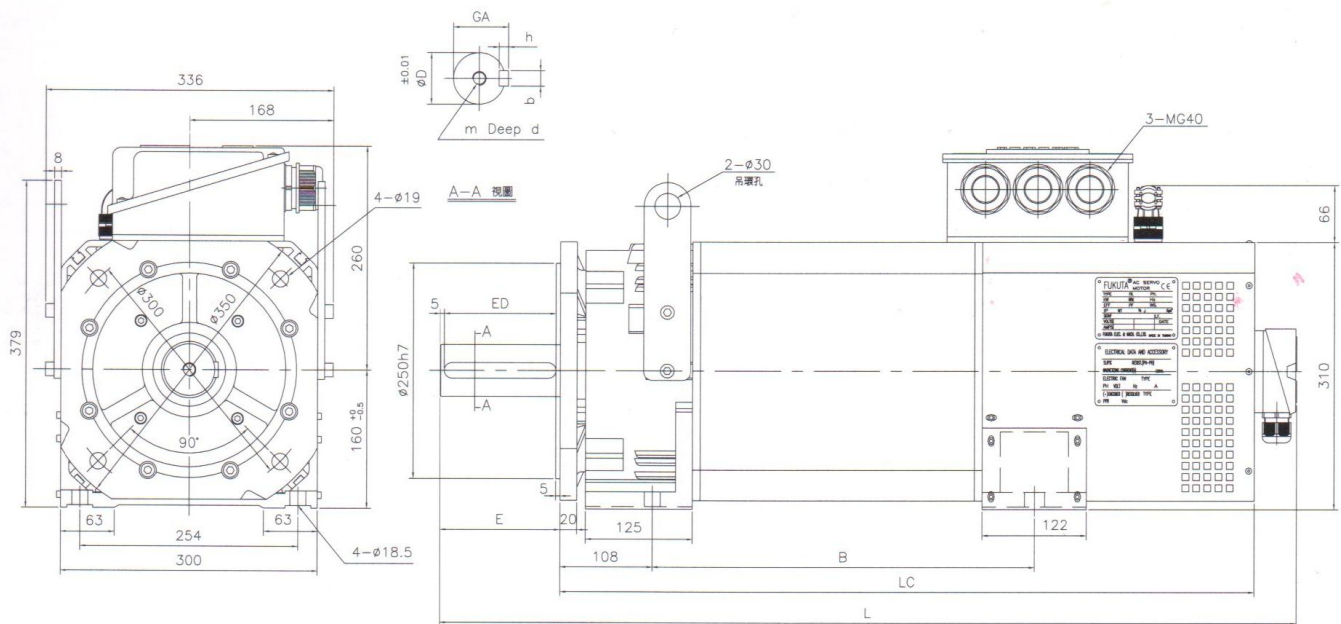
SERVO MOTOR

Model RMSF-160

IP54



	B	D	E	ED	Bxh	Mxd	GA	L	LC
160S	326	55	110	100	16x10	M12x35	59	849.7	690.6
160M	376	60	140	130	18x11	M16x40	64	929.7	740.6
160L	446	60	140	130	18x11	M16x40	64	999.7	810.6
160X	506	60	140	130	18x11	M16x40	64	1059.7	870.6



Rebeck Enterprise Co., Ltd.

產品規格 Standard

輸出 Output(kw)	30	37	45	55
框號 Frame No.	160S	160M	160L	160X
效率 Efficiency(%)	94.6%	95.1%	95.1%	95.2%
功因 Power Factor	0.827	0.854	0.844	0.839
R1(Ω) @25°C	0.045	0.033	0.027	0.020
極數 Poles	4	4	4	4
轉動慣量 Rotor Inertial(kg·m ²)	0.1675	0.2054	0.2427	0.3023
激磁電流 Magnetizing Current(A)	46.9	59.2	75.2	78.4
最高轉速 Max. Speed (rpm)	4500	4500	4500	4500
重量 Weight(kg)	220.0	250.0	280.0	330.0
編碼器 Encoder	1024PPR RS422(Line-drive)/Push-Pull			
風扇 Elec.Fan	1 ϕ 230V 50/60Hz 155/215W			
軸承 Bearings	LS:6313C3	OS:6313C3		

一般條件 General Data

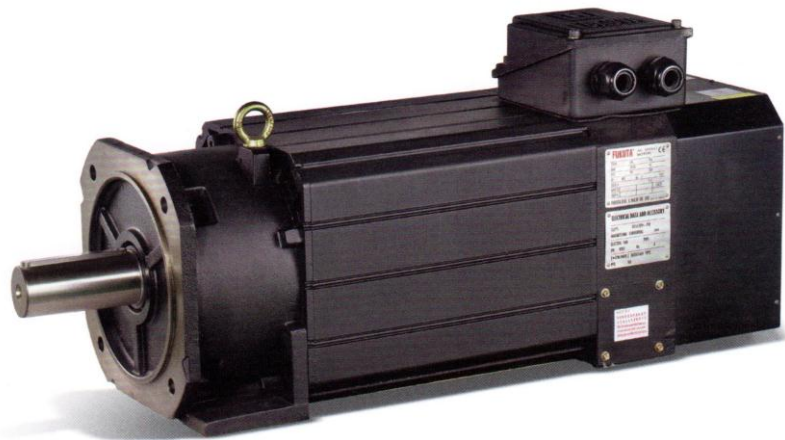
安裝方式 Mounting	IM 2001(B3, B5)
保護方式 Protection	IP54
轉子平衡 Rotor Balancing	R級 (ISO2373)R Degree
絕緣等級 Insulation	H級 Class H
冷卻系統 Cooling Sys.	強制通風 Forced Air Cooled
熱保護 Thermal Protection	熱保護器 (常閉) Thermal Protector (NC)
噪音 Noise	80dBA
周溫 Ambient Temp.	-15°C~40°C
高度 Altitude	海拔1000米 1000m ASL

框號 Fr. No.	額定轉速 Rated Speed	最大轉矩 Max. Torque	額定轉矩 Rated Torque	額定輸出 Rated Output	額定電流 Rated Current				額定頻率 Rated Frequency
					190V	220V	330V	380V	
160S	1500	40.08	14.31	22	87.4	74.1	50.5	42.8	50.9
	2000	41.03	14.63	30	116.6	100.8	67.3	58.2	67.5
	3000	38.3	13.0	40	152.8	132.0	88.2	76.2	100.0
	4000	35.6	12.2	50	191.0	162.7	110.3	93.9	134.1
160M	1500	50.91	18.18	28	104.5	90.1	60.3	52.0	50.8
	2000	50.47	18.07	37	138.3	120.1	79.9	69.4	67.6
	3000	47.7	16.9	52	194.3	167.8	112.2	96.9	100.0
	4000	43.3	15.3	63	235.4	203.3	135.9	117.4	133.3
160L	1500	61.2	22.16	37	125.5	116.9	72.1	67.5	51
	2000	61.41	21.93	45	170.3	148.5	98.3	85.7	67.5
	3000	55	19.5	60	224.2	193.9	129.5	112.0	100.7
	4000	51.6	18.3	75	280.3	242.1	161.8	139.8	133.3
160X	1500	72.89	29.23	45	169.1	145.9	97.0	84.2	50.8
	2000	75.27	26.88	55	209	178.4	120.7	103.0	67.5
	3000	68.8	24.3	75	281.3	242.9	162.4	140.2	100.0
	4000	61.9	21.9	90	337.5	291.5	194.9	168.3	133.3

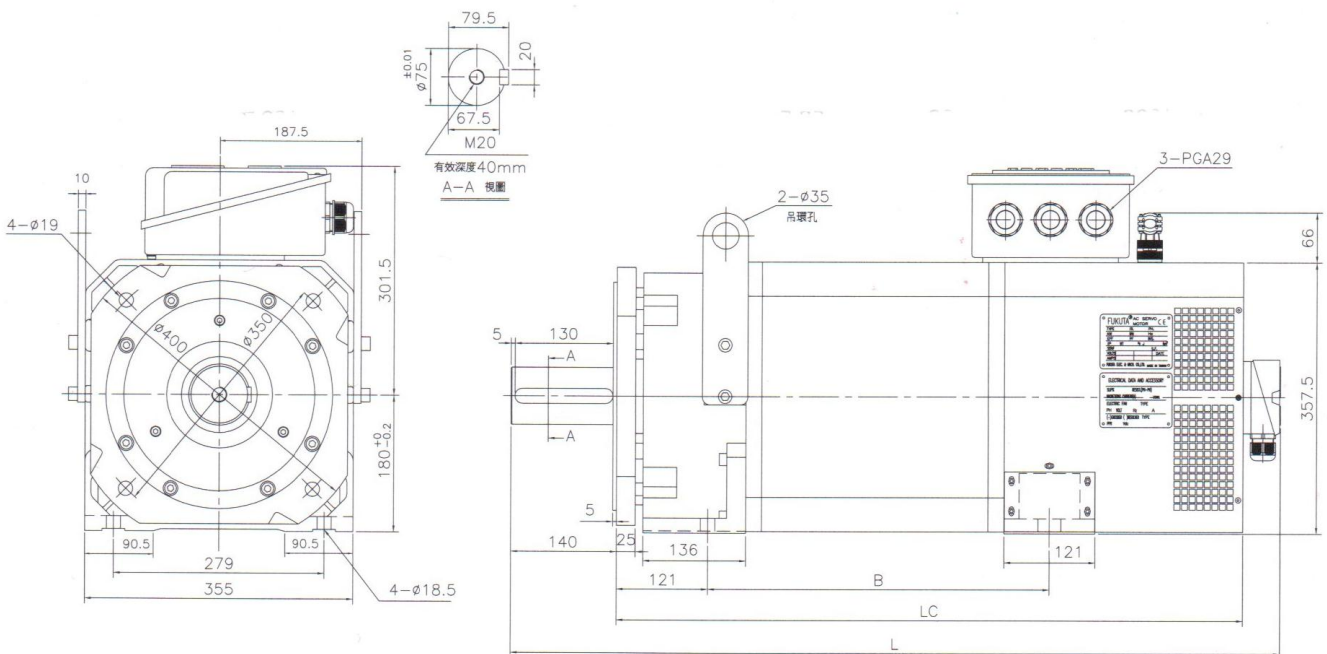
SERVO MOTOR

Model RMSF-180

IP54



	B	L	LC
180P	402.5	969	779.6
180S	452.5	1019	829.6
180M	497.5	1064	874.6
180L	582.5	1149	959.6
180X	652.5	1219	1029.6



Rebeck Enterprise Co., Ltd.

產品規格 Standard

輸出 Output(kw)	55	75	90	110	132
框號 Frame No.	180P	180S	180M	180L	180X
效率 Efficiency(%)	92.8%	92.7%	93.8%	93.0%	92.8%
功因 Power Factor	0.831	0.825	0.828	0.808	0.822
R1(Ω) @25°C	0.084	0.065	0.053	0.038	0.035
極數 Poles	6	6	6	6	6
轉動慣量 Rotor Inertial(kg·m ²)	0.5463	0.6466	0.7369	0.9075	1.0479
激磁電流 Magnetizing Current(A)	44.7	62.1	71.6	99.3	107.5
最高轉速 Max. Speed (rpm)	3500	3500	3500	3500	3500
重量 Weight(kg)	315.0	360.0	400.0	478.0	530.0
編碼器 Encoder	1024PPR RS422(Line-drive)/Push-Pull				
風扇 Elec.Fan	1ø 230V 50/60Hz 155/215W				
軸承 Bearings	LS:6316C3		OS:6315C3		

一般條件 General Data

安裝方式 Mounting	IM 2001(B3, B5)
保護方式 Protection	IP54
轉子平衡 Rotor Balancing	R級 (ISO2373)R Degree
絕緣等級 Insulation	H級 Class H
冷卻系統 Cooling Sys.	強制通風 Forced Air Cooled
熱保護 Thermal Protection	熱保護器 (常閉) Thermal Protector (NC)
噪音 Noise	80dBA
周溫 Ambient Temp.	-15°C~40°C
高度 Altitude	海拔1000米 1000m ASL

框號 Fr. No.	額定轉速 Rated Speed	最大轉矩 Max. Torque	額定轉矩 Rated Torque	額定輸出 Rated Output	額定電流 Rated Current		額定頻率 Rated Frequency
					330V	380V	
	RPM	kg-m	kg-m	kw			Hz
180P	1000	90.25	36.1	37	87.0	75.3	51.0
	1500	87.41	35.8	55	127.6	108.6	76.0
	2000	83.75	33.5	69	148.0	135.9	101.2
	3000	73.25	29.3	90	194.0	168.0	150.0
180S	1000	121.75	48.7	50	116.6	98.4	51.2
	1500	114.85	48.76	75	174.7	149.1	76.1
	2000	114.25	45.9	94	203.0	189.8	101.1
	3000	100.25	40.1	124	268.0	232.0	150.0
180M	1000	145.08	58.5	60	139.7	120.7	51.1
	1500	134.86	58.52	90	210.7	176	75.7
	2000	136.15	55.1	113	241.0	224.6	101.1
	3000	119.54	48.2	149	317.0	275.0	150.0
180L	1000	177.32	71.5	73	164.0	145.1	51.1
	1500	174.88	71.47	110	253.8	222.6	76.0
	2000	166.41	67.1	138	295.0	256.0	101.1
	3000	146.07	58.9	181	389.0	337.0	150.0
180X	1000	212.54	85.7	90	210.9	183.2	51.2
	1500	212.8	85.8	132	294.0	263.2	76.1
	2000	199.4	80.4	165	349.0	302.0	101.2
	3000	175.1	70.6	217	460.0	400.0	150.0