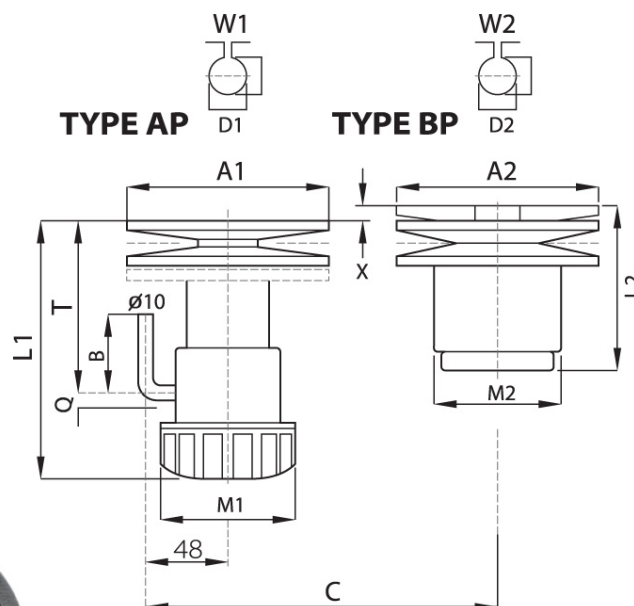




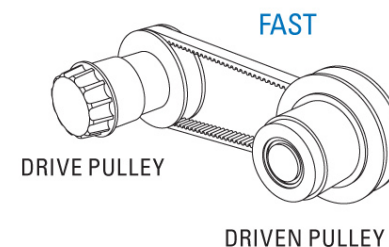
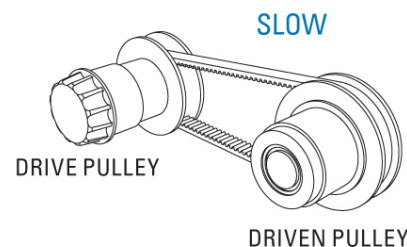
REDUCER SERIES

MODEL AP/BP



STEPLESS VARIABLE SPEED PULLEYS

- The main body is cast-made by FC 25, machined by a CNC lathe and processed carefully in unity. The assembled parts are further precisely ground and the surfaces, chromo plated.
- The shaft attachments are made of S45C medium carbon steel, processed and finished with precision, and treated by hard chromium.
- The special lubricant stored with in the unit is to ensure its durability, easy maintenance and lasting service.
- REYON variable speed pulleys are suitable for speed shifting mechanism of various industrial machineries. Proper utilization may promote the productivity, save the energies and increase the industrial profits.
- The unit is built with heavy duty bearings, permitting for long time, high speed running Changing speed is convenient to make without stop of the machine. The speed selector knob is graduated for reading out the speed setting and running direction indicating.



MODEL	HP	SIZE OF TYPE AP											SIZE OF TYPE BP										
		A1	M1	L1	B	Q	T	D1	W1	U1	max. P.D.	min. P.D.	kg	A2	M2	L2	D2	W2	U2	max. P.D.	min. P.D.	X	kg
05-ABP	1/2 HP	125	87	168	58	13	108	14 16	5	16.5 18.5	117	58	3.4	124	76	124	15 18	5	17.5 20.5	118	62	9.5	2.2
1-ABP	1 HP	140	87	173	58	16	111	-19 -22 -24	-6 -7 -8	-22 -25.5 -28	132	58	3.9	155	94	150	18 22	5 7	20.5 25.5	148	77	12	3.7
2-ABP	2 HP	155	87	203	58	17	140	24	8	28	145	60	4.4	185	104	177	22 25	7	25.5 28.5	177	100	15	6.3
3-ABP	3 HP	155	87	203	58	17	140	28	8	32	145	60	4.4	185	104	177	25	7	28.5	177	100	15	6.3
5-ABP	5 HP	185	87	228	58	18	160	28	8	32	173	70	6.3	215	104	200	25 28	7	28.5 31.5	214	125	23	8.9
5-TAP ABP	5 HP	185	87	228	58	18	160	28	8	32	173	70	6.3	224	85	165	25 30	7	34	216	120	40	7